

# Printing System (X) Operation Guide

Set-up Edition





---

# Contents

<b>1</b>	<b>Preparations</b>	
	Names of Parts .....	1-1
	Main Body .....	1-1
	Operation Panel .....	1-2
	Accessories .....	1-2
	Items to be Prepared by the User .....	1-3
<b>2</b>	<b>Set-up</b>	
	Installation Procedure for Local Printing .....	2-1
	Connecting a USB Cable .....	2-1
	Loading Software .....	2-3
	Custom Installation .....	2-4
	Installation Procedure for Network Printing .....	2-5
	Connecting the Cables .....	2-5
	Loading Software .....	2-6
	Installing KMprint .....	2-6
	Installing the Printer Driver .....	2-7
	Installing Software Using Quick Setup .....	2-8
	Status Monitor .....	2-9
	Configuration Tool .....	2-9
	Printing a Status Page .....	2-10
	Uninstalling Software .....	2-11
<b>3</b>	<b>Printing</b>	
	Printing a Document .....	3-1
<b>4</b>	<b>Troubleshooting</b>	
	Basic Troubleshooting Chart .....	4-1
	Print Quality Problems .....	4-2
	Pausing Printing .....	4-2
	Canceling Printing .....	4-2
<b>5</b>	<b>Options</b>	
	Print Server (IB-110) .....	5-1
<b>6</b>	<b>Specifications</b>	



---

## Trademark Information

---

- Microsoft, Windows and WindowsNT are registered trademarks of Microsoft Corporation of America and other countries.
- Windows Me and Windows XP are trademarks of Microsoft Corporation.
- Ethernet is a registered trademark of Xerox Corporation.
- Adobe, Adobe Acrobat and Adobe Reader are registered trademarks of Adobe Systems Incorporated.

All other company and product names contained in this Operation Guide are trademarks or registered trademarks of their respective companies. The designations <sup>™</sup> and <sup>®</sup> will not be used in this Operation Guide.

- This product has been certified by the USB Implementers Forum, Inc.



All rights reserved. No part of this material may be reproduced or transmitted in any form or by any means, electronic or mechanical, including photocopying, recording or by any information storage and retrieval system, without permission in writing from the Publisher.

## Legal Restriction On Copying

---

- It may be prohibited to copy copyrighted material without permission of the copyright owner.
- It is prohibited under any circumstances to copy domestic or foreign currencies.
- Copying other items may be prohibited.

## About this Operation Guide

---

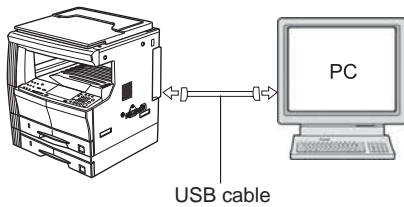
The *Operation Guide Set-up Edition* is meant to be read when using this machine as a local printer or a network printer by installing a printer board. This Operation Guide explains how to set up this machine.

As the required set-up in order to use the printer as a scanner may differ depending upon the environment in use in the connected computer, please read those sections related to your specific computer environment and perform the appropriate set-up procedures explained there.

## Getting Connected

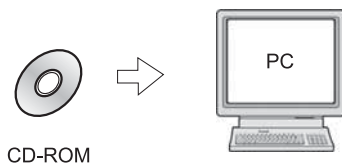
For local connection of this machine (direct connection between a computer and the printer through a USB cable)

### Example connection



- 1 Connect the computer and the printer through a USB cable. If the Plug & Play Auto Installation process starts, cancel it and install the driver using the Product Library CD.

**Page 2-1**

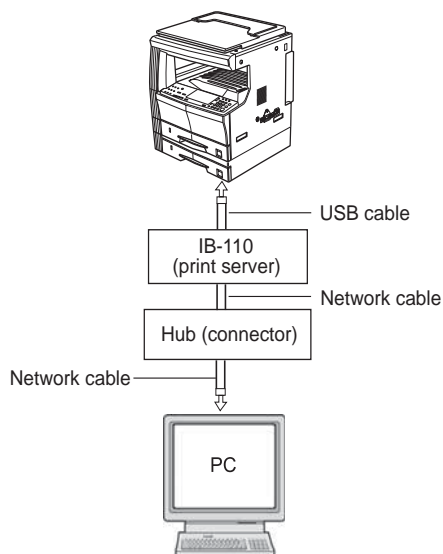


- 2 Load and install the software in the computer.

**Page 2-3**

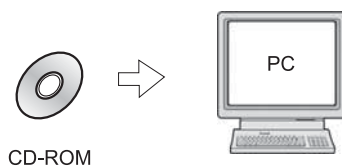
For network connection of this machine (connection of the printer through a network)

### Example connection



- 1 Connect a network cable (100Base-TX, 10Base-T or the like) and IB-110 to the printer.

**Page 2-6**



- 2 Load and install the software in the computer.

**Page 2-6**

---

## Conventions

---

This manual uses the following conventions:

Convention	Description	Example
<b>Bracket Bold Text Typeface</b>	Used to emphasize the selection of the operation panel key.	Press the <b>[Print]</b> key.
<b>Bold Typeface</b>	Used to emphasize buttons or items to be selected in dialog boxes, and titles displayed in dialog boxes.	Click <b>Next</b> .
<b>Italic Typeface</b>	Used for references to additional information and other publications.	For details, refer to <i>Custom Installation on page 2-5</i> .
<b>Courier Typeface</b>	Used to denote messages or names displayed on the operation panel.	Error occurred. Press Printer.
<b>Notes</b>	Used to provide additional or useful information about a function or feature. Can also contain references to other publications.	<b>NOTE:</b> You can set the emulation for each interface.
<b>Important</b>	Used to provide important information.	<b>IMPORTANT:</b> Formatting of the memory card must be executed from the printer.

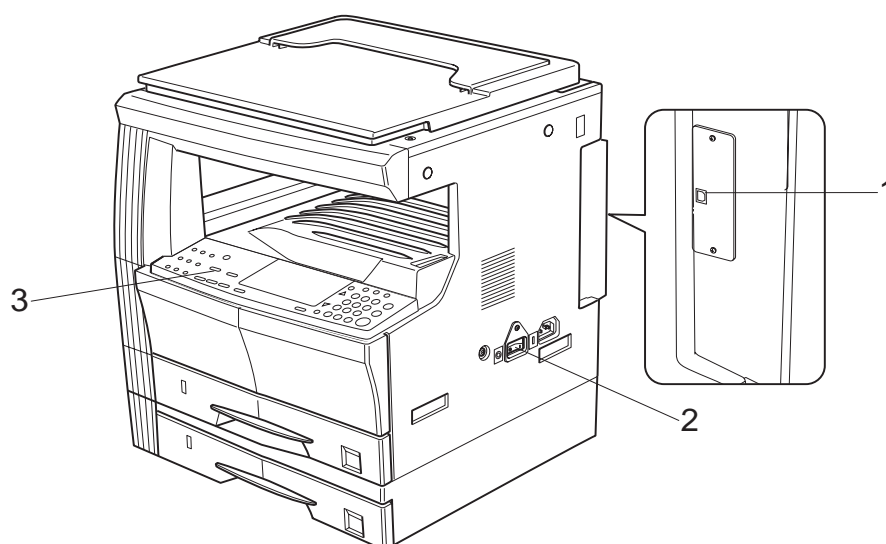




# 1 Preparations

## Names of Parts

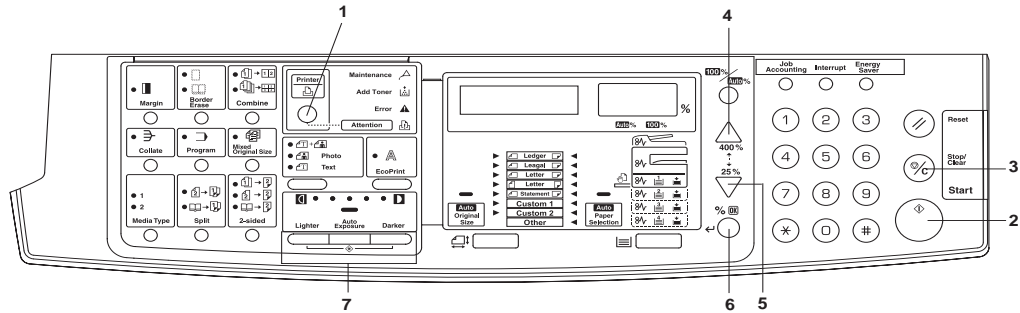
### Main Body



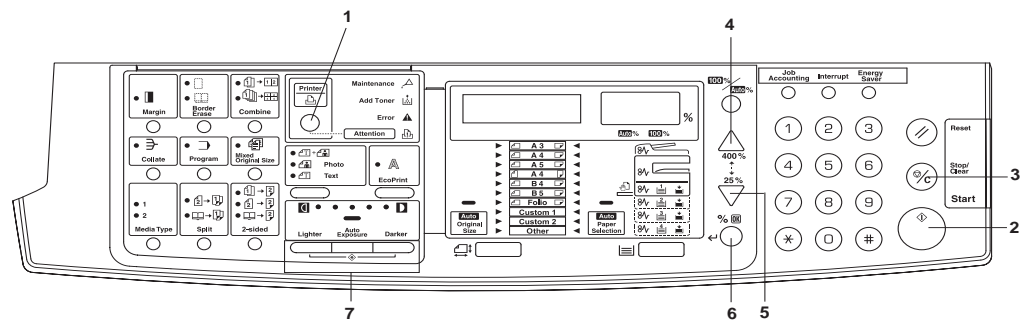
- 1 USB interface connector** - USB interface based on Hi-Speed USB. Use a USB cable to connect to a USB port of a computer.
- 2 Main power switch** - When using this machine, turn on the main power switch. When connecting a printer cable or the like, turn off this switch.
- 3 Operation panel** - When entering settings on this machine, use the operation panel.

## Operation Panel

### Inch Specifications



### Metric Specifications



- 1 Printer key (Status indicator) - Press this key when selecting the printer mode. Press this key when you want to pause or resume printing.  
Lights up or blinks to show the status of this machine.  
Light on: This machine is online but no data is being received.  
Blinking: The machine is receiving the print job.  
Turns off: This machine is offline.
- 2 Start key - Press this key to pause or resume printing.
- 3 Stop/Clear key - Press this key to cancel printing.
- 4 ▾ - Press this key to display menu.
- 5 ▲ - Press this key to display menu.
- 6 %/OK key - Press this key to determine the menu or settings.
- 7 Exposure Adjustment Key/Exposure Display - Press this key to print a Status Page.

## Accessories

- CD-ROM: 1 pcs.
- Operation Guide (this document)

## Items to be Prepared by the User

- For USB connection of the printer: USB2.0 compatible cable (based on High-Speed USB, shorter than 5.0 m)
- For network connection of the printer: Hub, IB-110 (option), and Network cable (option, 10Base-T or 100Base-TX)

---

**NOTE:** When using a USB or 10Base-T or 100Base-TX cable, use a shielded cable.

---



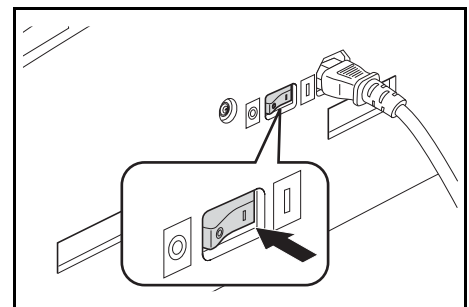
## 2 Set-up

### Installation Procedure for Local Printing

When using this machine as a local printer, you can use a USB cable as a printer cable to connect the machine to a computer.

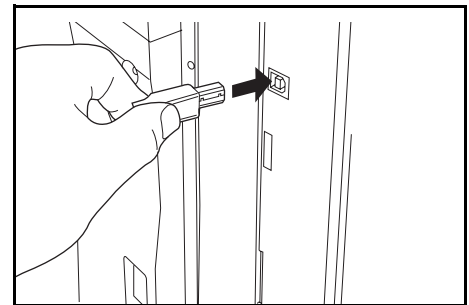
#### Connecting a USB Cable

- 1 Turn on your PC.
- 2 Turn the main power switch of this machine ON (I).



- 3 Connect the USB cable to the USB Interface Connector located on the rear right of this machine.

**NOTE:** Use a USB cable with a rectangular Type A plug and a square Type B plug. The USB cable should be shielded and no longer than 5 meters (16 feet) long.



- 4 Connect the other side of the USB cable to the computer's USB interface connector. The **Found New Hardware Wizard** is displayed.



---

**NOTE:** If this wizard is not displayed, reconnect the USB cable between your computer and printer. The Hardware Wizard will display when the printer is properly connected.

---

- 5 Click **Cancel** to close the **Found New Hardware Wizard**.

## Loading Software

Ensure the printer is plugged in and connected to the computer's USB port before installing software from the CD-ROM.

- 1 Set the CD-ROM into the optical drive of the computer. Once the installation program launches, the License Agreement Notice is displayed.

---

**NOTE:** If the installation program fails to launch, use Windows Explorer to access the CD-ROM and double-click the Setup.exe.

---

- 2 Click **View License Agreement** to display and read it.
- 3 Click **Accept** to proceed.
- 4 Click **Install Printer Software**. The **Installation Wizard** starts.
- 5 Click **Next**.
- 6 For the simple, default installation, select **Express Mode (USB only)** and click **Next**.

The installation program installs the software.

---

**NOTE:** If you selected **Custom Mode**, select **Universal Serial Bus (USB)** to select the connection method, and follow the on-screen instructions. For details, refer to *Custom Installation on page 2-4*.

When installing software for Windows XP or 2000, if a software installation warning for an unsigned device driver is displayed, click **Continue Anyway** to bypass the warning and install the driver. All device drivers have been fully tested.

---



- 7 When the installation is complete, the **Installation Completed Successfully** window is displayed. Click **Finish** to leave the install program and return to the disc main menu.

## Custom Installation

The Custom Mode is the user selection mode and allows users to customize the install options.

- 1** Follow steps 1 to 6 of *Loading Software on page 2-3*.
- 2** Select **Custom Mode** and click **Next**.
- 3** Select the software packages you wish to install, and clear the ones you do not want installed.
- 4** Click **Next**.
- 5** When the installation is complete, the **Installation Completed Successfully** dialog box is displayed. Click **Finish** to leave the install program and return to the disc main menu.

At this point you may see a reminder to connect the printer to your computer and the Plug & Play Auto Installation Process may start. The dialog box reminder to connect a USB cable will be closed automatically when the driver is installed successfully.



## Installation Procedure for Network Printing

Network printing is an optional feature of this print system. When using this machine as a network printer, prepare the following items to connect this machine to a network.

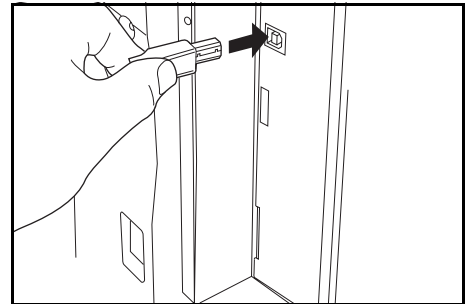
- Hub
- IB-110
- USB cable
- Network cable (10Base-T or 100Base-TX)

**NOTE:** When you connect the machine with a USB cable as a local printer, you cannot use this machine as a network printer.

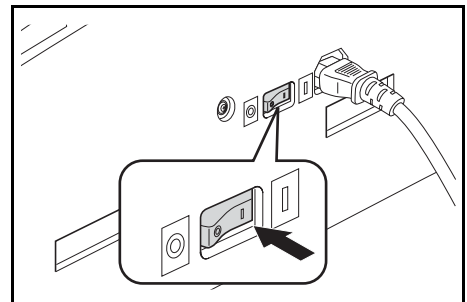
### Connecting the Cables

- 1 Connect the network cable to the hub (concentrator).
- 2 Connect the other side of the network cable to the Network Interface Connector of the IB-110.
- 3 Connect the USB cable to the USB Interface Connector on the rear right of this machine.

**NOTE:** Use a USB cable with a rectangular Type A plug and a square Type B plug. The USB cable should be shielded and no longer than 5 meters (16 feet) long.



- 4 Connect the other side of the USB cable to the USB Interface Connector of the IB-110.
- 5 Connect the power supply cable to the connector near the USB Interface Connector of the machine.
- 6 Connect the other side of the power supply cable to the connector of the IB-110.
- 7 Turn the main power switch of this machine ON (|). Confirm that the indicator of the IB-110 is lit green.



## Loading Software

Ensure that the network connection is complete before installing software from the CD-ROM.

- 1 Turn on your PC.

---

**NOTE:** In Windows XP or 2000, you must be logged into the system with administrator privileges.

---

- 2 Set the CD-ROM into the optical drive of the computer. Once the installation program launches, the License Agreement Notice is displayed.

---

**NOTE:** If the installation program fails to launch, use Windows Explorer to access the CD-ROM and double-click Setup.exe.

---

- 3 Click **View License Agreement** to display and read it.
- 4 Click **Accept** to proceed.
- 5 Click **Install Printer Software**. The **Installation Wizard** starts.
- 6 Click **Next**.
- 7 Select **Custom Mode** and click **Next**. The **Connection Method** dialog box is displayed.
- 8 Select **Network Port** and click **Next**. The **Customized Installation** dialog box is displayed.
- 9 Select options you want to install, and click **Next**. The installer starts installing the software. After a while the **KMprint Install** wizard is displayed. Proceed to *Installing KMprint*.

---

**NOTE:** If your network does not include a DHCP server, select **Quick Setup** to enter the IP address for the printer individually. For details of installing software using Quick Setup, refer to *Installing Software Using Quick Setup on page 2-8*.

---

## Installing KMprint

Follow these steps to install KMprint and add the KMPort. KMPort is a private port for network printing using IB-110.

- 1 In **KMprint Install** wizard, click **Next**.
- 2 Click **Next**.

---

**NOTE:** If necessary, click **Browse** to change the destination directory of the software.

---

- 3 Specify a program folder where the program icons will be located. Click **Next**. Installation of KMprint starts.

- 
- 4 Select **Yes** to create a KMPort, and click **Finish**. The **KMPort Add Port** Wizard is displayed.

---

**NOTE:** Even if you selected **No**, you can specify a KMPrint port in step 4 of *Installing printer driver*.

---

- 5 Click **Search** to detect your printer name from the printer list, and click **OK**.

---

**NOTE:** If not displayed in the list, enter the printer's MAC address. The MAC address may be found on the network status page.

---

- 6 Click **Next**.

- 7 Enter the desired port name for the KMprint, and click **Next**.

- 8 Confirm the settings, and click **Finish**. The **KMPort Add Port** Wizard is completed, and the **Installation** Wizard is displayed. Proceed to *Installing printer driver*.

## Installing the Printer Driver

Follow these steps to install the printer driver. This section explains how to install the printer driver when you selected **Local connection** which enables a PC to be connected directly to a network printer.

- 1 In **Installation** Wizard, click **Next**.
- 2 Select **Local Connection** or **Network Connection**.
- 3 Select the printer model, and click **Next**.
- 4 Select a KMPrint port from the port list, and click **Next**.

---

**NOTE:** If you have not created a KMprint port in step 4 of *Installing KMprint on page 2-6*, you can specify it by selecting **Create a new port** and clicking **Next**. Follow steps 5 to 8 of *Installing KMprint on page 2-6*.

---

- 5 Change the printer name if necessary.
- 6 Specify whether you use this printer as a default printer, and click **Next**.
- 7 Specify whether you share this printer, and click **Next**.
- 8 Specify whether you want to print a test page, and click **Next**.
- 9 If the settings are correct, click **Install**. Installation of the printer driver starts. Otherwise, click **Back** to modify the settings.
- 10 If you wish to install another printer, select **Yes**. Otherwise, select **No** and click **Finish**. The printer software installation is complete.

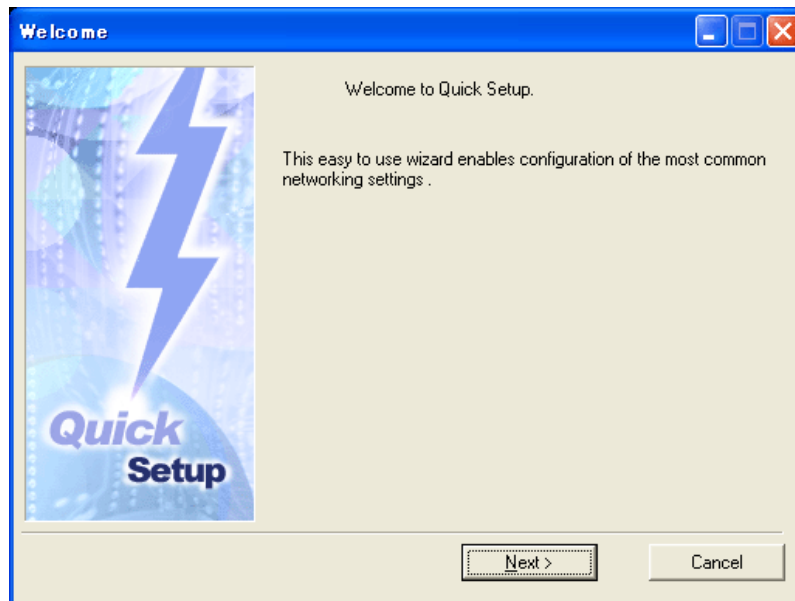
**NOTE:** If you select **Configuration Tool** and **Status Monitor** in step 9 of *Loading software*, each installation starts. When the installation is complete, click **Finish**.

---

## Installing Software Using Quick Setup

Quick Setup enables configuration of the most common networking settings. In addition, after installing the printer driver, you can assign the new IP address to this machine using Quick Setup.

- 1 Follow the steps 1 to 8 of *Loading Software on page 2-6*.
- 2 Select **Quick Setup** of the options and click **Next**. The **Quick Setup** wizard is displayed.



- 3 Select the machine you wish to install, and click **Next**.

**NOTE:** If the machine is not displayed in the list, enter the machine's MAC address.

---

- 4 Confirm the TCP/IP configuration and click **Next**.

**NOTE:** If you wish to assign the new IP address to this machine or change the configuration, enter the information into the field.

---

- 5 Confirm the configuration changes and click **Finish**. The **KMprint Install** wizard is displayed.

- 6 Follow the steps 10 or later of *Loading Software on page 2-6*.

## Status Monitor

When you select **Express Mode (USB only)** in step 6 of *Loading Software on page 2-3*, Status Monitor is automatically installed.

---

**NOTE:** If you select **HBPS Utility** from the options in step 3 of *Custom Installation on page 2-4* or step 9 of *Loading Software on page 2-6*, Status Monitor is installed.

---

The Status Monitor enables you to customize the printer's monitoring settings to meet your own requirements.

## Configuration Tool

When you select **Express Mode (USB only)** in step 6 of *Loading Software on page 2-3*, Configuration Tool is automatically installed.

---

**NOTE:** If you select **HBPS Utility** from the options in step 3 of *Custom Installation on page 2-4* or step 9 of *Loading Software on page 2-6*, Configuration Tool is installed.

---

The Configuration Tool enables you to customize the printer settings to meet your own requirements.

## Printing a Status Page

This section explains the procedure for printing the status page. The status page is a list of parameters and page counts of the printing system. You may be required to produce a status page when requesting service for the machine.

- 1** Press and hold the **[Exposure Adjustment]** key (Lighter and Darker) for at least 3 seconds. The System Menu will be displayed.
- 2** Press the **[▽]** or **[△]** key to display the 59.Printer Status.
- 3** Press the **[OK]** key twice.

## Uninstalling Software

You can uninstall the printer software from the CD-ROM.

- 1** Click **Remove Printer Software**. The **Uninstall Wizard** is displayed.
- 2** Select the software package to remove.
- 3** Click **Uninstall**. Uninstallation of the printer software starts.
- 4** When uninstallation is complete, click **Finish**.





# 3 Printing

## Printing a Document

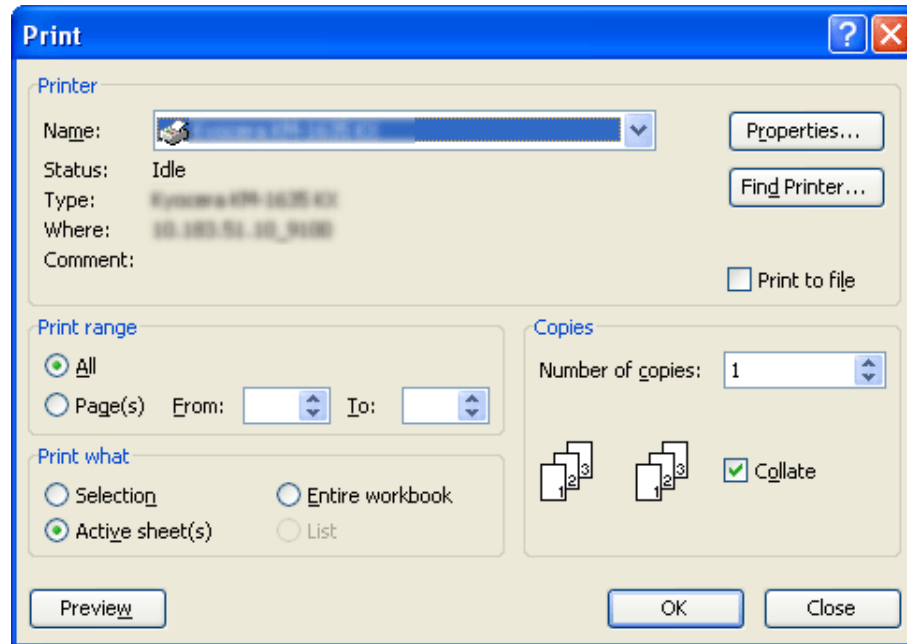
The steps required to print a document created with an application are explained below. You can select the printing paper size and output location.

---

**NOTE:** You can customize the settings of the Status Monitor and Configuration Tool.

---

- 1 Insert the proper paper size (such as A4) into the printer's paper cassette.
- 2 From the application's **File** menu, select **Print**. The **Print** dialog box is displayed.
- 3 Click the **Printer Name** menu. All the installed printers are listed. Select the desired printer.



- 4 Specify the number of copies to print in the **Number of copies** field. You can print up to 999 copies. When printing two or more copies, enable the **Collate** check box for collation.

---

**NOTE:** When using Microsoft Word, we recommend that you click **Options** and select **Use printer settings** for the default tray.

---

- 5 Click **Properties** to access the **Properties** dialog box.
- 6 On the **Basic** tab, click the **Page Size** to select the appropriate page size.

**NOTE:** For best results when printing on transparencies or recycled paper (the back side of paper which has already been printed on), click the **Media Type** menu and select the media type.

The printer automatically selects paper size that matches the size specified above. A message displays asking you to fill the multi-purpose tray if the proper paper size is not available.

Click the **Source** drop-down list to specify the paper cassette for printing.

---

- 7** Choose either **Portrait or Landscape** to match the document page orientation. You can rotate the document 180 degrees by enabling the **Rotated** check box.
- 8** Click **OK** to return to the **Print** dialog box.
- 9** Click **OK** to start printing.

# 4 Troubleshooting

## Basic Troubleshooting Chart

If you experience trouble while you are using this machine as a printer, refer to the table below to perform minor adjustments. If trouble persists, contact your service representative or an authorized service center.

Problem	Check point	Procedure
Nothing is printed out	Is the power cord loose?	Connect the power cord securely to a power source.
	Is the printer power on?	Turn the main switch to the printer on.
	Is the correct printer cable used and is it connected properly?	Be sure to use a compliant printer cable and make sure it is connected properly.
	Did you connect the printer cable after you turned the printer power On?	Connect the printer cable before you turn the printer power on.
	Is the printer off-line? (Is the Status Indicator flashing amber?)	Perform the appropriate procedure to put the printer on-line. Press the <b>[Printer]</b> key to switch to the printer mode. The <i>Status Indicator</i> light will turn off.
	Is the printer assigned to incorrect printer port such as Kprint or Standard TCP/IP port?	Assign the printer to a KMPrint port in the <b>Ports</b> tab of the <b>Properties</b> window.
Text is not printed correctly	Is the correct printer cable used and is it connected properly?	Be sure to use a compliant printer cable and make sure it is connected properly.
	Is the setting configuration in your computer correct?	Confirm the settings in the printer driver as well as in the software application in use.

## Print Quality Problems

The table below describes potential print quality problems and the corrective action for each problem.

Problem	Procedure
All black pages	Contact your service technician.
Dropouts, horizontal streaks or stray dots	Clean the charger wire.
Black or white vertical streaks	Check the toner container and replace it if necessary.
	Clean the charger wire.
	Make sure the charger cleaner is in its original position.
Faint or blurred printing	Check the toner container and replace it if necessary.
	Clean the charger wire.
Gray background	Check the toner container and replace it if necessary.
	Confirm that the developer unit and drum unit are installed correctly.
Dirt on the top edge or back of the paper	Check for toner on the registration roller.

## Pausing Printing

Switch the printer from online to offline . You can temporarily stop the print job by switching the printer off-line, perform the following procedure.

- 1 Press the **[Printer]** or **[Start]** key. (Offline) is displayed on Message Display. The Status Indicator turns off and the printer switches to off-line.

---

**NOTE:** When off-line, the printer can receive data, but cannot print.

---

- 2 To resume processing of the prints, press the **[Printer]** or **[Start]** key again. The Status Indicator starts blinking and the printer switches to on-line.

## Canceling Printing

To cancel printing and clear the data, perform the following procedure.

---

**NOTE:** While printing copy jobs, the machine cannot cancel print Jobs.

---

- 1 Press the **[Printer]** key. The machine enters the printer mode.
- 2 Press the **[Stop/Clear]** key. Printing is canceled.

# 5 Options

This machine has the following option available to satisfy your printing requirements.

## **Print Server (IB-110)**

This print server enables an optional printing network so that all users on the network can take advantage of the printing system capabilities. This print server's USB interface offers easy external connections. Our original utility simplifies configuring your Ethernet network to offer printing to users on many different platforms including Windows, UNIX, and Macintosh.

For more specifications or functions of IB-110, refer to the User's Guide of IB-110.



## 6 Specifications

This printing system has following specifications.

---

**NOTE:** Specifications are subject to change without notice.

---

Item	Specification
Printing speed (A4/Letter, one-sided print)	16-ppm printer: 16 pages/minute 20-ppm printer: 20 pages/minute
First Print Out (A4/Letter, 22°C, 60%RH)	6 seconds or less
Resolution	600 x 600dpi
Main memory	Standard: 64MB
Compatible Operating Systems	Microsoft Windows 98/Me/2000/XP
Interfaces	Hi-speed USB, 1 port





**QUALITY  
CERTIFICATE**

This machine has passed  
all quality controls and  
final inspection.

